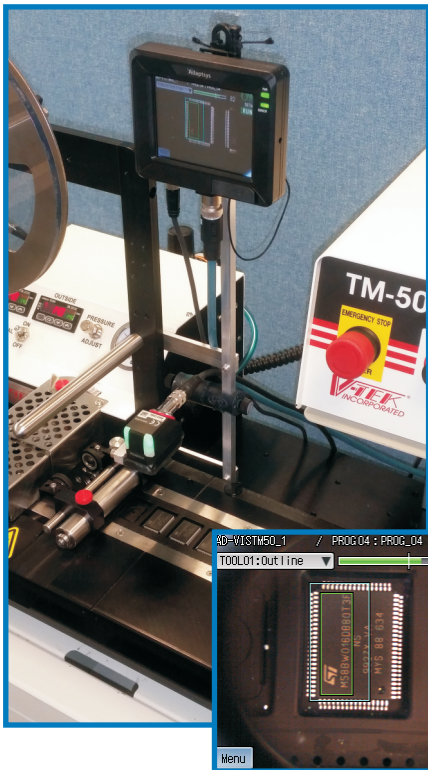


# TM-50 Vision Inspection Option



As a complement to the TM-50 manual and auto-tapers, the IS-300C and IS-150 Vision Inspection options provide reassurance that the operator or machine are placing the correct parts in the tape in the correct orientation.

- **Mark inspection**

Identifies if the wrong part is placed in the pocket.

- **Orientation**

Checks that the part is placed the right way round in the pocket.

- **Colour check**

Able to recognise colours, such as ink dots, to ensure the right colour is used.

- **Quick setup**

The complete process for setting up a vision inspection can take less than two minutes. Focus and brightness can be selected manually or automatically, and the “best” options are shown to the operator.

After the best focus and brightness have been set, the operator registers the master image and then adds a

“tool” which is the inspection you wish to perform within a search area. After the inspection is added, then you’re ready to run.

- **Full traceability**

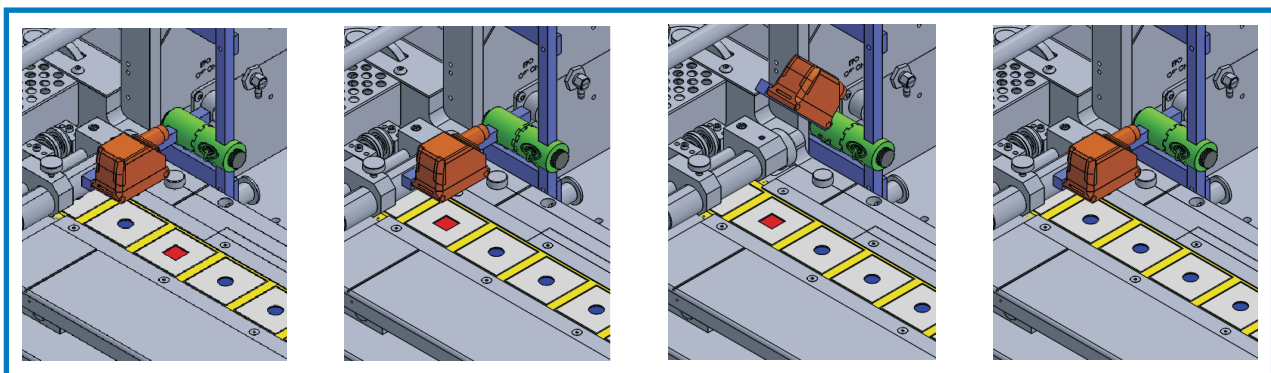
Via an optional data module, it’s possible to store either images and data for the failures or all inspections. The data module can be set up to output to a network drive, a USB drive or a local hard drive. The data module can also be customised to provide a customer-specific interface for a variety of options including data input, job summary output, printing, etc...

- **Easily integrated**

Designed to easily integrate into all existing TM-50s<sup>1</sup> in the field.

- **Compact & adjustable positioning**

The sensor holder and screen mount are compact and the positioning can be easily adjusted to locate the part in the pocket being inspected. The sensor bracket has been designed specifically to ensure that the operator can easily access the pocket in case of failure, replace the part then move the sensor back to the exact position ready to continue the job and vision inspections.



<sup>1</sup> Vision Option is required on the TM-50 Controller, along with power wiring on the Vision port

---

United Kingdom +44 (0) 1730 262444  
Germany +49 (0) 163 6287570  
France +33 (0) 143 97 80 30  
Hungary +36 30 419 2630



[sales@adaptsys.com](mailto:sales@adaptsys.com) • [www.adaptsys.com](http://www.adaptsys.com)

---